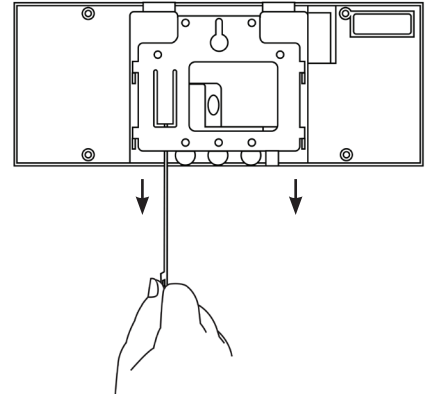


SECURITY BRACKET REMOVAL

- ① Prior to installation, detach metal security bracket from clock by inserting included release key into slot located on back of clock.
- ② Push key all the way into slot. Key will slide easily until some resistance from locking tab is felt.
- ③ With key fully engaged, slide the security bracket down and off of the clock.



INSTALLATION

- ① Use the Pyramid Digital Clock Timer with Pyramid Count Up/Down Controller (Part# CTPLATEKIT or CBPLATEKIT - not included).
- ② Mount the Security Bracket
 - Digital Timer with 24" lead:**
Hardwire the timer to a standard 105-240V AC electrical box. Attach the included 42247J security mounting bracket directly to electrical box (single or double) with 6-32 screws. "TOP" is engraved on the mounting bracket to be sure the bracket is oriented and the tabs are facing upward. Hardwire installation must be done by a licensed electrician only.
 - PoE Digital Timer:**
Install the included 42247J mounting bracket to your wall using the mounting screws, anchors and template provided. "TOP" is engraved to ensure bracket is oriented correctly and the tabs face upward. Connect your POE Digital Clock Timer to your POE Switch or Port Injector using your CAT5 RJ45 cable.
- ③ RJ45 Controller cable can now be routed through the channel at the back of the clock.
- ④ Connect Digital Clock Timer to Pyramid Count Up/Down Controller (Part# CTPLATEKIT or CBPLATEKIT - not included). Please refer to Controller Instructions for connection and operation information.
- ⑤ Slide clock downward until locking tabs click into place. When properly mounted, clock cannot be removed from the bracket without using the included wall bracket release key to disengage locking tab.

WARRANTY

3-YEAR LIMITED WARRANTY

Pyramid warrants its Synchronized Clock Systems to the original user against defective material or workmanship for a period of 3 years from date of purchase.

The manufacturer's responsibility under this Warranty is limited to repair or replacement of defective part or parts. Pyramid reserves the right to determine whether parts failed because of defective material, workmanship, or other causes. Failure caused by accident, alteration, misuse or improper packaging of returned unit is not covered by this Warranty. Any repair to equipment other than by Pyramid voids the Warranty. The rights under this Warranty are limited to original user and may not be transferred to subsequent users.



TECHNICAL SUPPORT

CONTACT US: Should you need to speak live to one of our representatives, please call (toll-free US/Canada) 888.479.7264, press 1 during regular business hours: **8:30am-5:00pm EST, Monday-Friday.**

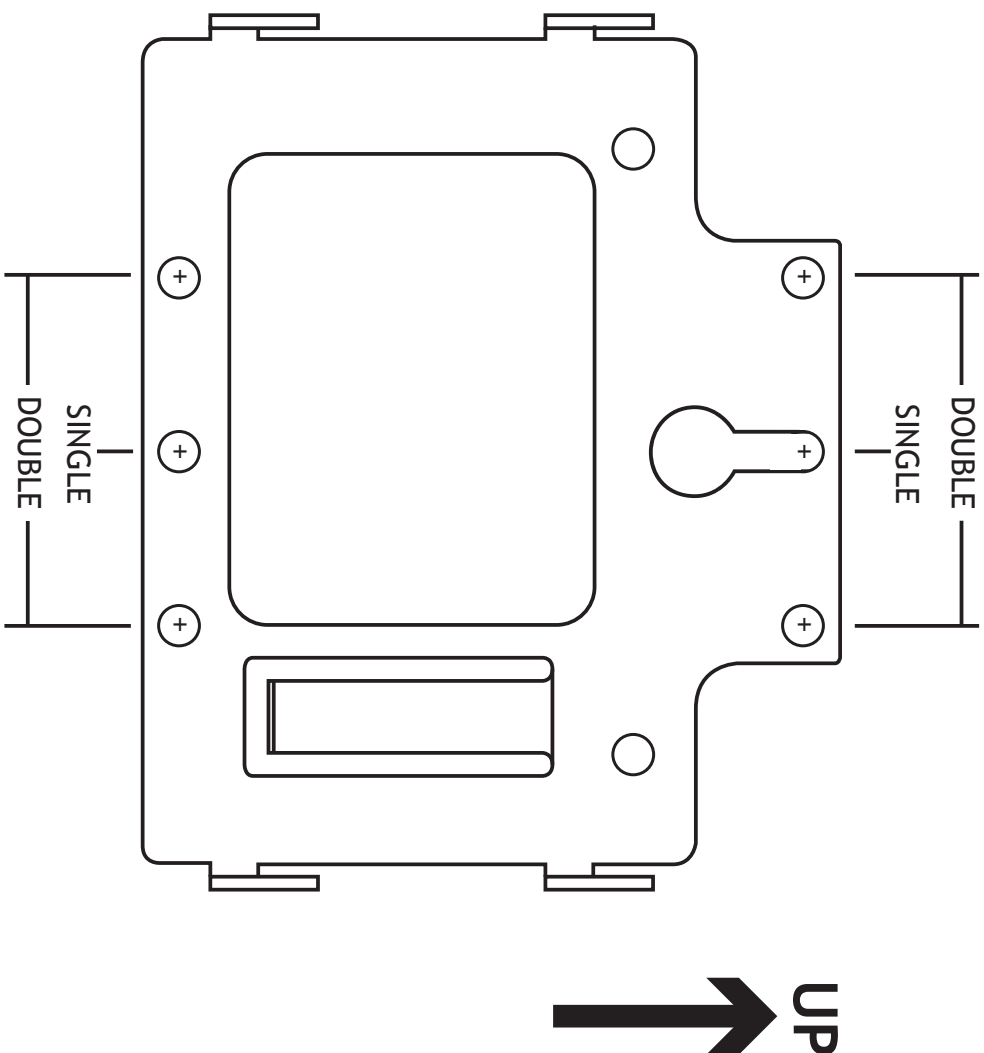
CLOCK MOUNTING TEMPLATE

Screw Guide Template Below Is Actual Size



SECURITY BRACKET MOUNTING TEMPLATE

Screw Guide Template Below Is Actual Size



NOTE:
Bracket is designed
for single or double
electrical box.

Level Line Marker